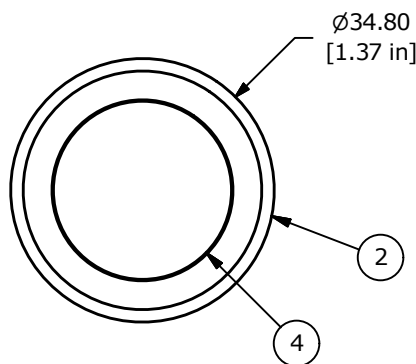


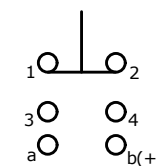
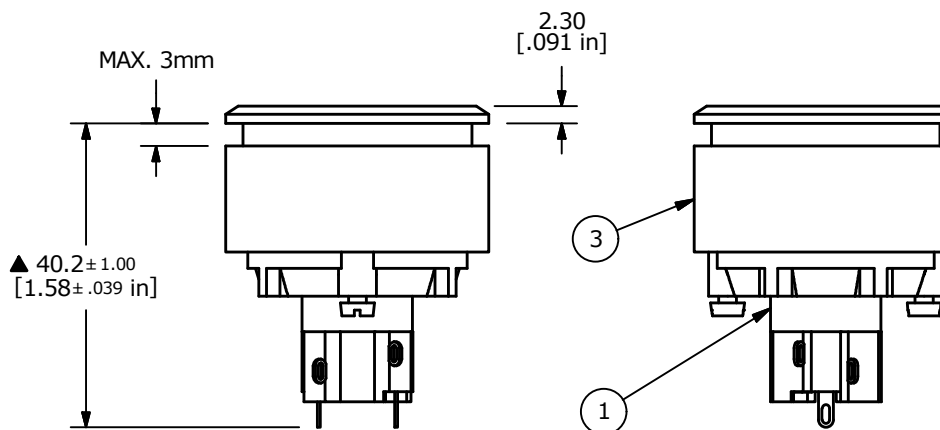
RECOMMEND PANEL MOUNTING

▲ Parts List			
ITEM	QTY	PART NUMBER	DESCRIPTION
1	1	F060610	LASOAU11 BODY
2	1	F051706	35MM FLUSH MOUNT BEZEL
3	1	F051707	35MM FLUSH MOUNT RETAINER
4	1	F060211	29MM BLUE LENS



NOTE:

1. ALL DIMENSIONS IN MM [INCH]
2. GENERAL TOLERANCE: X.X=±0.4
X.XX=±0.25
3. TERM. NOS. FOR REF. ONLY.
4. RATING: 5A @250VAC
8A @125VAC
2A @250VDC
6A @24VDC
5. INSULATION: 1,000 MΩ MIN.
6. DIELECTRIC STRENGTH: 2000V FOR 1 MIN.
7. SEALED TO IP65.
8. TRAVEL: 3.0MM FULL TRAVEL, 2.0MM LATCH
9. ELECTRICAL LIFE: >50,000 CYCLES
10. OPERATING TEMP: -25C TO +70C
11. PANEL THICKNESS: 0.5MM TO 3.0MM
12. LAMP VOLTAGE: NO LED
13. ▲ DENOTES CRITICAL PARAMETER.
14. 2002/95/EC (ROHS) COMPLIANT



▲ SPDT CONTACT CONFIGURATION



B	21842	change 40.5 dim. callout	5/5/2015	MW
A	21827	INITIAL RELEASE	4/9/2015	MW
REV	PCR NO	DESCRIPTION	DATE	BY

TITLE LASOAU310BLU				
SCALE 1:1	DATE 4/9/2015	DR MW	DWG XF0898P	REV B

THE INFORMATION CONTAINED IN THIS DOCUMENT IS PROPRIETARY TO E-SWITCH AND IS NOT TO BE COPIED OR TRANSFERRED